

VWPOP65-P

**VIDEO WALL POP-OUT MOUNT
WITH QUICK RELEASE**
FOR 42"-65" SCREENS

**PORTRAIT
INSTALLATION**



Professional pop-out mount designed to build portrait video walls. The open design of the VWPOP65-P allows full access to cabling, and the included ties are used to hide the cables easily and aesthetically. Independent 8-point micro adjustment allows precise alignment of screens without the use of tools. Special retractable system for easy access for service purposes. VWPOP65-P is padlocked against uncontrolled structure opening. This mount is the number one choice for users who care about intuitiveness and operating comfort. VWPOP65-P provides optimum comfort during the construction of a modular audio visual wall.

FEATURES

- Independent 8-point micro adjustment allows precise alignment of screens without the use of tools
- The retractable mechanism provides convenient service access to screens installed in recesses and places difficult to access
- The retractable mechanism can be secured with a lock screw to prevent the screen from being accidentally extended
- The open design of the product provides full access to cabling, and the supplied ties facilitate cable management
- Mounting holes and carefully selected spacers eliminate the need for calculations on site
- Adjustment of the retractable mechanism spring enables proper adjustment for screens of different masses to obtain safe and controlled extension
- TUV tested



PRODUCT SPECIFICATIONS

Short index	VWPOP65-P
Category	Video Wall Mounts
Product group	Video Wall & Menu Board Mounts
Colour	Black
Warranty	Limited 5-years
Number of screens	1
Minimum screen size	42"
Maximum screen size	65"
Maximum load	60 kg
Forward tilting	+28°
Screen orientation	Portrait
Height adjustment	Yes
VESA Mounting Compatibility	200x400 up to 400x600



46"-65"



200x400
400x600



0-28°



60 kg



Independent 8 position adjustment allows precise alignment of screens to obtain the perfect plane.



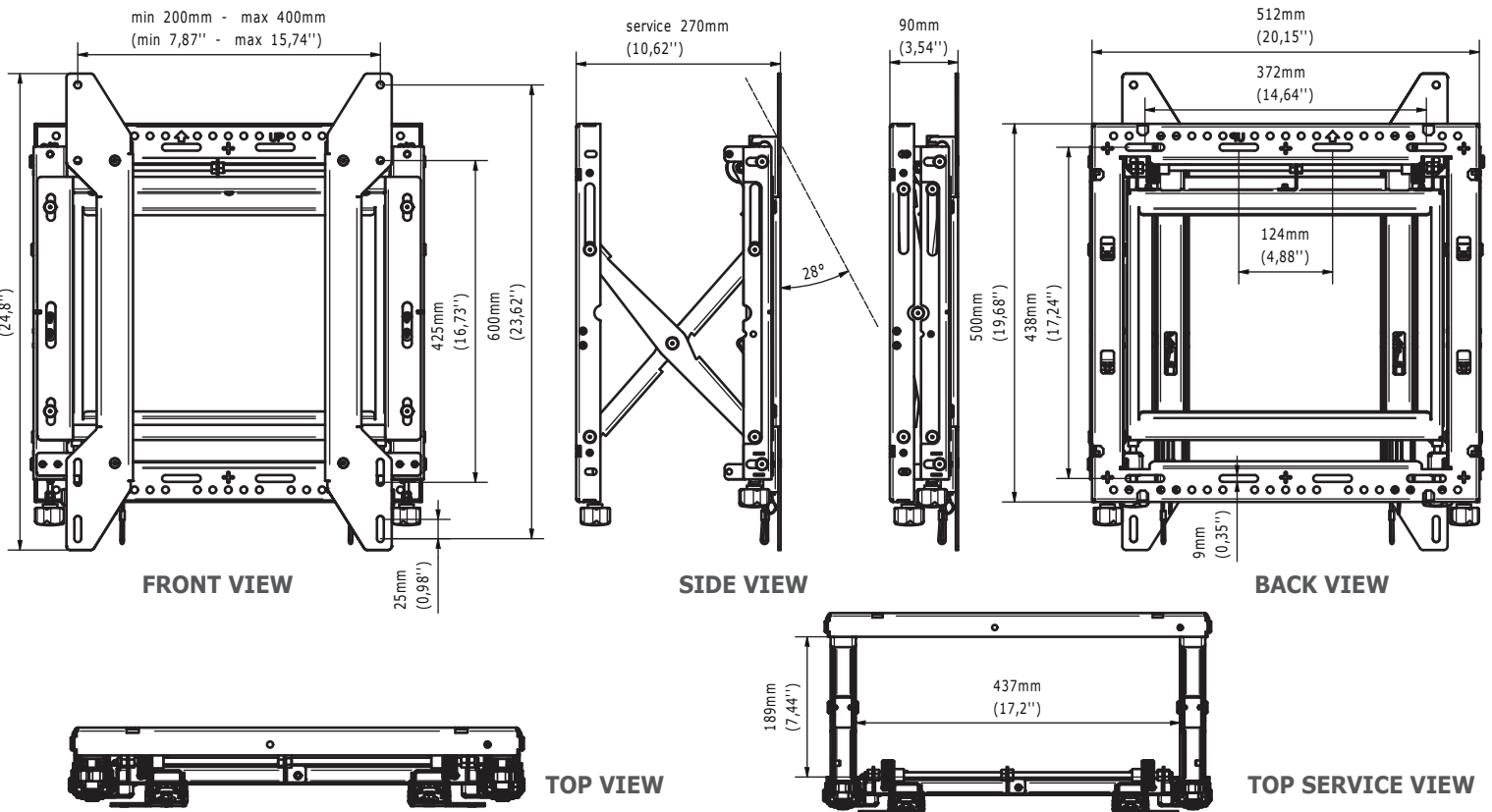
The open design of the product provides full access to cabling, and the supplied ties facilitate cable management.



Mounting holes and carefully selected spacers eliminate calculations during installation on site.



Adjusting the retractable mechanism spring provides quick and easy access for servicing.



TECHNICAL SPECIFICATIONS

Product dimensions	W: 512 mm D: 90 mm H: 630 mm (W:20,16" D:3,54" H:24,80")
Product weight	15 kg (33 lb)
Max. distance from mounting surface	270 mm (10,63")
Min. distance from mounting surface	90 mm (3,54")
Max. mounting pattern	400 mm x 600 mm
Min. mounting pattern	45 mm x 85 mm

LOGISTICS DATA

SAP INDEX	EAN CODE	COLOUR	PACKAGE DIMENSIONS	PACKAGE WEIGHT
WUSC-VVPOP65-P	5908252968589	BLACK	630 x 585 x 115 mm 24,80 x 23,03 x 4,53"	15,5 kg 34 lb

HS Code (Harmonized System): 732690, HTS Code (Harmonized Tariff Schedule): 7326909890, Country of Origin: Poland

ACCESSORIES AND RELATED PRODUCTS



VVPOP65-L



VVFS65-P



VVPOP95-P



VVFX65-P