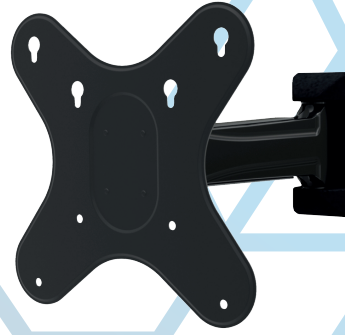


# VSM650

## SWING ARM WALL MOUNT

FOR 32-55" SCREENS

The VSM650 swing arm wall mount is dedicated to screens ranging from 32" to 55". This mount is made of aluminum arms with cables routed inside to ensure smart installation and aesthetic appearance. The design is adapted to frequent changes in the position of the screen, so it is a perfect solution for places where the position of screens is often changed. VSM650 has the possibility of rotating the screen to the right and to the left by 94° which allows the position of the screen to be adjusted the user's expectations and increases the comfort of use.



The VSM650 with VESA 300-400 adapters



### FEATURES

- Modern design and aesthetic finish of the wall mount
- 94°/94° right-left screen rotation
- Durable aluminum structure
- Cable routed inside the arm
- VESA universal standard

### PRODUCT SPECIFICATIONS

Short index	VSM650
Product group	Display Mounts
Category	Swing Arms Wall Mounts
Colour	Black
Warranty	Limited 5-years
Number of screens	1
Minimum screen size	32"
Maximum screen size	55"
Maximum load	25 kg
VESA Mounting Compatibility	100x100 up to 400x400



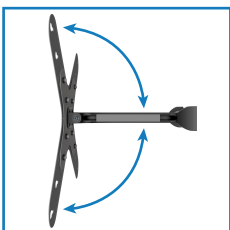
32"-55"



100x100  
400x400



25 kg



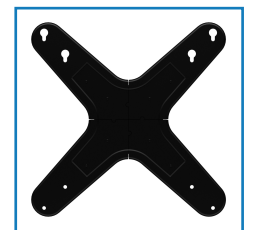
94°/94° right-left screen rotation



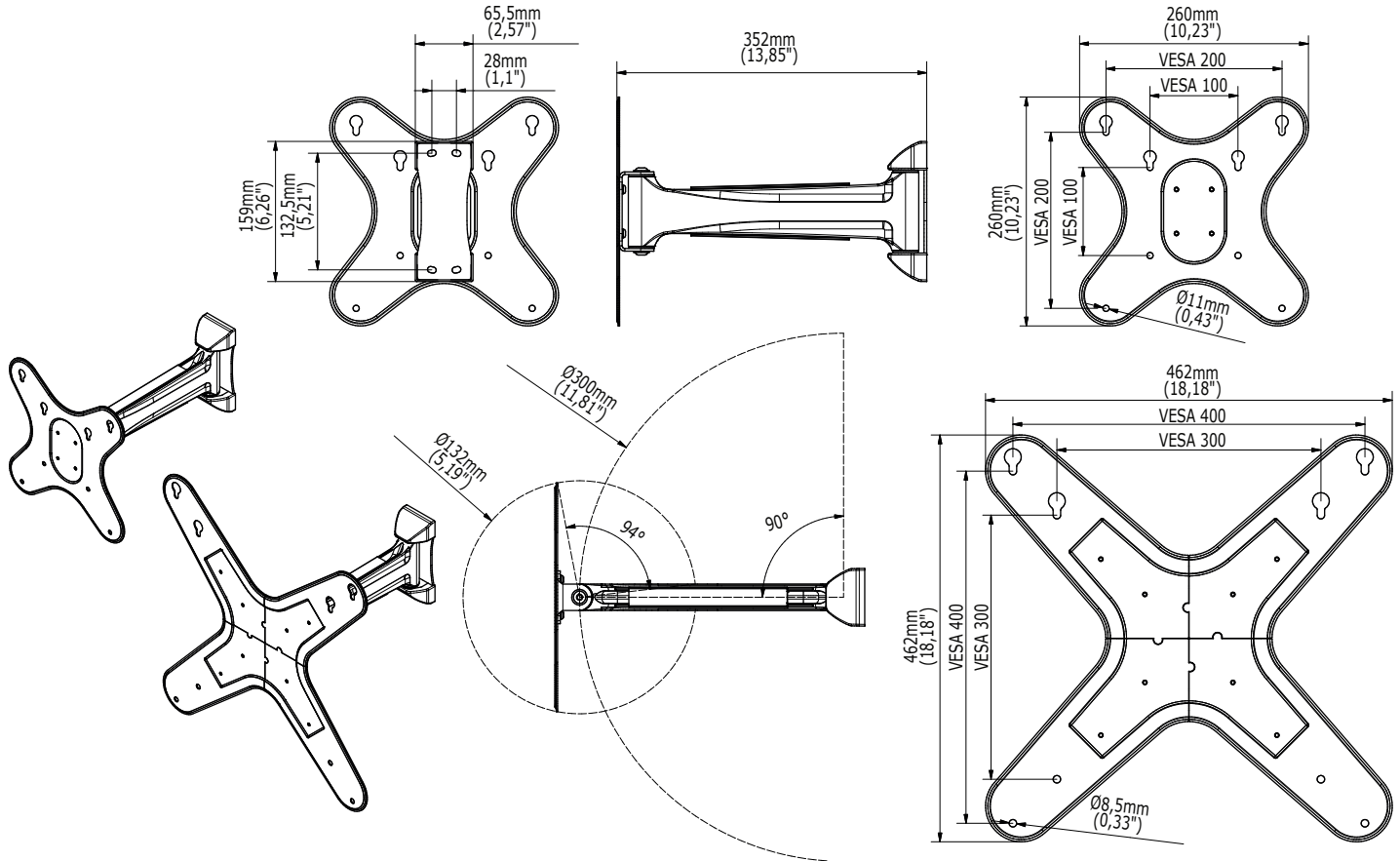
easy to install adapter



Cable routed inside the arm



VESA universal standard



## TECHNICAL SPECIFICATIONS

Product dimensions	W: 462 mm D: 352 mm H: 462 mm (W:18,18" D:13,85" H:18,18")
Product weight	4,7 kg (10,4 lb)
Product with adapter weight	5,9 kg (13 lb)
Max. distance from mounting surface	352 mm (13,85")
Min. distance from mounting surface	52 mm (2,04")
Max. mounting pattern	400 mm x 400 mm (15,74 x 15,74")
Min. mounting pattern	100 mm x 100 mm (3,93 x 3,93")

## LOGISTICS DATA

SAP INDEX	EAN CODE	COLOUR	PACKAGE DIMENSIONS	PACKAGE WEIGHT
WUSC-VSM650	5902841131071	BLACK	440 x 220 x 110 mm 17,32 x 8,66 x 4,33"	7 kg 15,43 lb

HS Code (Harmonized System): 732690, HTS Code (Harmonized Tariff Schedule): 7326909890, Country of Origin: Poland

## ACCESSORIES AND RELATED PRODUCTS



VSM651



VSM652



VSM653



VSM654