

TR18

FLAT SCREEN TROLLEY

FOR ONE 60"-95" SCREEN

This modern and universal TR18 video conferencing trolley enables professional installation of heavier screens up to 95". Cable management system allows the cables to be hidden, thus creating an aesthetic and smart installation. Also, seamless adjustment of screen height allows the user to adjust image to the room and the needs of the audience. TR18 is equipped with a system that protects the screen against falling or unauthorised removal. It has been designed for larger conference rooms and exhibition fairs.



FEATURES

- Adjustable height
- Cable management for smart installation
- Simple and quick installation
- Includes 4 non-marking braked casters
- All necessary mounting hardware included

PRODUCT SPECIFICATIONS

| | |
|-----------------------------|---------------------------------------|
| Short index | TR18 |
| Category | Flat Screen Trolleys Universal Series |
| Product group | Trolleys & Stands |
| Colour | Black |
| Warranty | Limited 5-years |
| Number of screens | 1 |
| Minimum screen size | 60" |
| Maximum screen size | 95" |
| Maximum load | 80 kg |
| Height adjustment | Yes |
| VESA Mounting Compatibility | 100x100 up to 1000x600 |



60"-95"



100x100
1000x600



80 kg



RoHS
Compliant



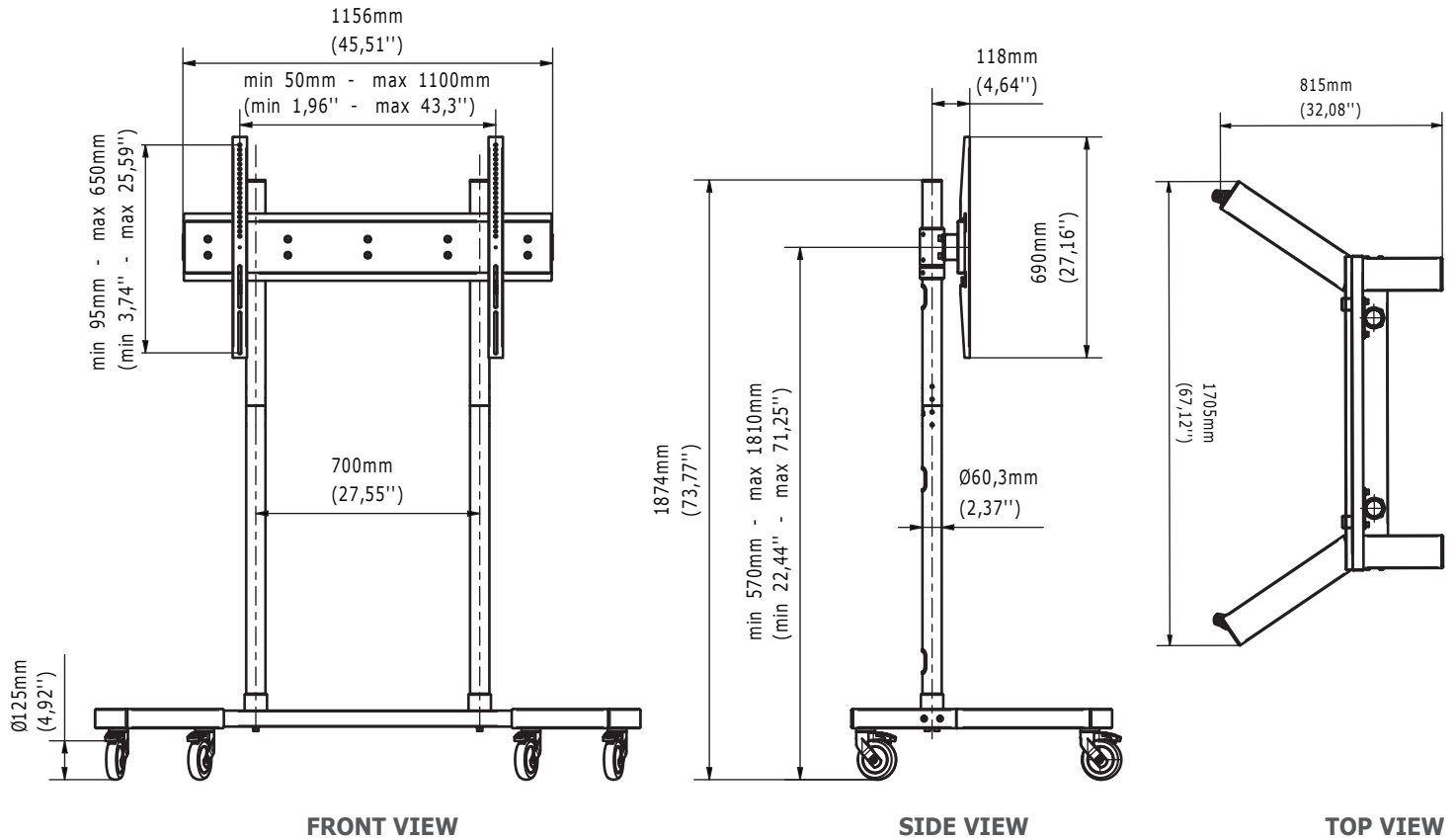
Height adjustment



Cable management system to hide cables



Includes 4 braked casters

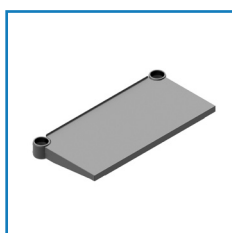

TECHNICAL SPECIFICATIONS

| | |
|--|--|
| Product dimensions | W: 1705 mm D: 815 mm H: 1874 mm (W:67,13" D:32,09" H:73,78") |
| Product weight | 58 kg (128 lb) |
| Max. distance from the floor to the center of the screen | 1810 mm (71,26") |
| Min. distance from the floor to the center of the screen | 570 mm (22,44") |
| Max. mounting pattern | 1100 mm x 650 mm |
| Min. mounting pattern | 50 mm x 95 mm |

LOGISTICS DATA

| SAP INDEX | EAN CODE | COLOUR | PACKAGE DIMENSIONS | PACKAGE WEIGHT |
|-----------|---------------|--------|--|-----------------|
| WWTR-TR18 | 5908252968701 | BLACK | 1300 x 800 x 150 mm 51,18 x 31,50 x 5,91" | 85 kg 187 lb |

HS Code (Harmonized System): 732690, HTS Code (Harmonized Tariff Schedule): 7326909890, Country of Origin: Poland

ACCESSORIES AND RELATED PRODUCTS


TRSM1



TRV200



TR1



STD17

2021 - EDBAK Sp. z o.o. All rights reserved.
The information included in the specifications reflects the current technical specifications at the time of printing. We reserve the right to modify technical or physical specifications without prior notice. EDBAK name and EDBAK logo are registered trademarks of EDBAK Sp. z o.o. All EDBAK images and symbols are sole property of EDBAK Sp. z o.o. Edbak shall not be held liable for any loss or damage caused by incorrect installation or mounting. Copying this specification in whole or in part is only allowed after obtaining written consent from EDBAK Sp. z o.o.
TR18-210601-EN