

RPWS1

HEAVY DUTY SWING ARM WALL MOUNT

FOR 42"-70" SCREENS

The RPWS1 heavy swing arm wall mount is dedicated to big screens ranging from 42" to 70". Three rotation axes allow any adjustment of the screen position landscape. The possibility of tilting the screen by 0°/+12° and 90° right-left screen rotation allow the screen position to be adjusted to suit the user's needs and improve the comfort of use.



FEATURES

- Option of landscape or portrait
- Possibility of screen tilting by 0° to +12°
- Maximum load capacity of 120 kg
- 90° right-left screen rotation
- Adjustable distance from the wall from 150 to 800 mm
- VESA universal standard
- Simple assembly



PRODUCT SPECIFICATIONS

Short index	RPWS1
Product group	Display Mounts
Category	Swing Arms Wall Mounts
Colour	Black
Warranty	Limited 5-years
Number of screens	1
Minimum screen size	42"
Maximum screen size	70"
Maximum load	120 kg
Forward tilting	0°/+12°
Arm rotation	90°
Left-right rotation	180°
VESA Mounting Compatibility	200x200 up to 600x400



200x200
600x400



0/+12°



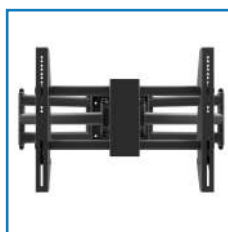
42"-70"



120 kg



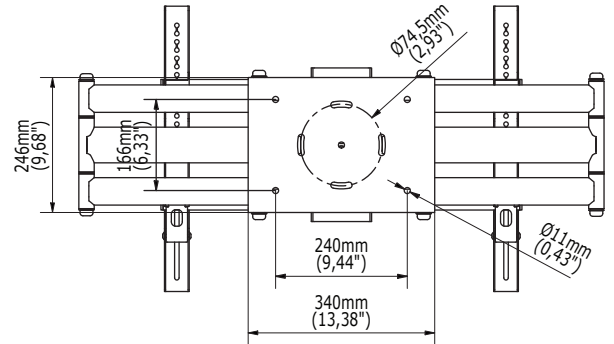
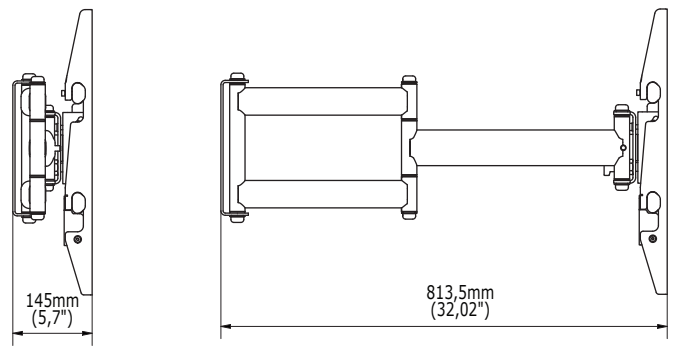
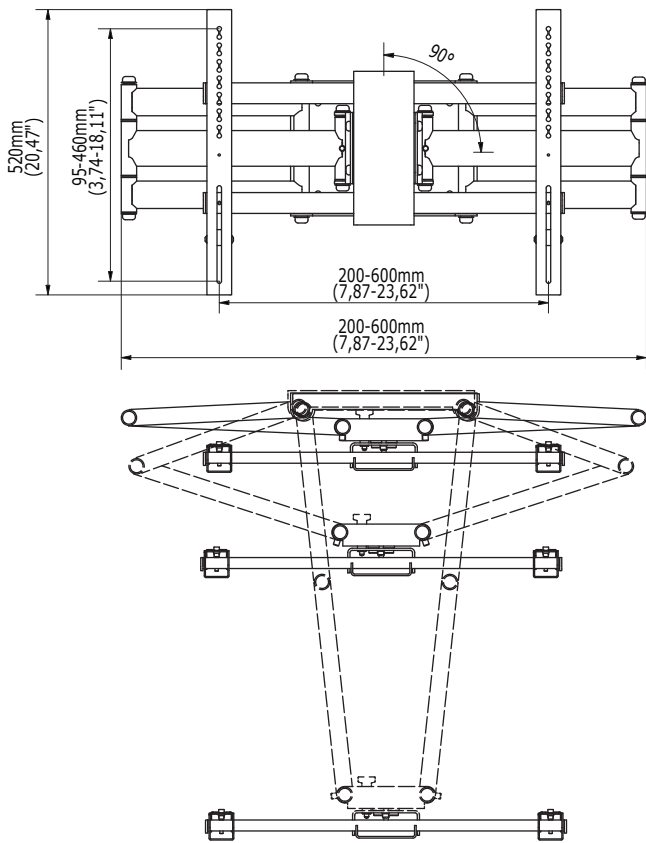
Option of landscape or portrait



Wide range of VESA mounting holes



Adjustable distance from the wall



TECHNICAL SPECIFICATIONS

Product dimensions	W: 957 mm D: 145 mm H: 520 mm (W:37,67" D:5,7" H:20,47")
Product weight	23 kg (50,70 lb)
Max. distance from mounting surface	813,5 mm (32,02")
Min. distance from mounting surface	145 mm (5,70")
Max. mounting pattern	600 mm x 460 mm (23,63 x 18,11")
Min. mounting pattern	200 mm x 95 mm (7,87 x 3,74")

LOGISTICS DATA

SAP INDEX	EAN CODE	COLOUR	PACKAGE DIMENSIONS	PACKAGE WEIGHT
WUSC-RPWS1	5908252968404	BLACK	130 x 31 x 18 mm 5,11 x 1,22 x 0,70"	22 kg 48,50 lb

HS Code (Harmonized System): 732690, HTS Code (Harmonized Tariff Schedule): 7326909890, Country of Origin: Poland

ACCESSORIES AND RELATED PRODUCTS



RMSA1