

PI5010 DATA SHEET

up to 5.00 meters

PureLink
Install. Connect. Perform.

Features

- ▶ DP version 1.4 – 32.4Gbps for resolutions up to 8K UltraHD-2 60Hz
- ▶ Gold plated precision contacts with locking mechanism
- ▶ DisplayPort male to DisplayPort male
- ▶ High purity copper conductors and triple shielding, AWG34/28, Ø 4.5/7.5 mm
- ▶ 100% tested for professional AV applications

Connections

Connector Material	ABS Plastic
Contact Material	Gold-plated
Connector 1	DisplayPort Male
Dimensions Connector 1	50.6 x 19.9 x 11 mm
Connector 2	DisplayPort Male
Dimensions Connector 2	50.6 x 19.9 x 11 mm

Cable

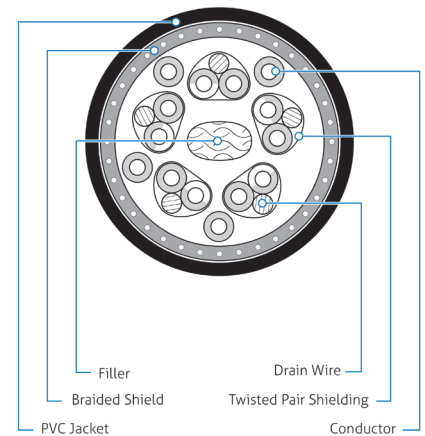
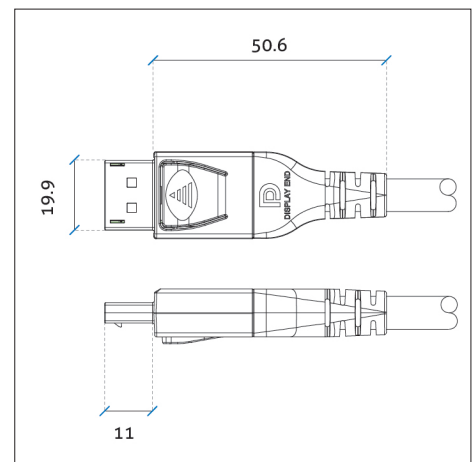
Type	Passive Round Cable
Construction	Up to 2.0m: 5x Twisted Pairs 34AWG + 4x 34AWG + AB From 3.0m: 5x Twisted Pairs 28AWG + 4x 28AWG + AB
Jacket Outer Material	PVC
Cable Outer Diameter	Up to 2.0m: 4.5mm / From 3.0m: 7.5mm
Bending Radius	Up to 2.0m: 8.5mm / From 3.0m: 14.0mm
Tensile Strength	ca. 12kg
Sheath Printing	Compliance and Cable Standards, Flamability Rating

Signal Transmission

Standard	DisplayPort 1.4, HBR3
Bandwidth	32.4 Gbps
Max. Resolution	8K UltraHD-2 60Hz / 4K UltraHD 120Hz

General

Transmission Distance	Up to 5m (from 7.5m active)
Operation Temperature	0-80°C
Relative Humidity	0-95%
Colour	Black
Packaging	Premium Polybag, PET 01, PE-HD 02, PP 05
Certification	CE, FCC, ROHS, REACH, VW-1
Compliance	VESA



PI5010 Overview

Parent	Art.-No.	Length	Colour	EAN
PI5010	PI5010-010	1.00m	black	4251364716304
	PI5010-015	1.50m	black	4251364716311
	PI5010-020	2.00m	black	4251364716328
	PI5010-030	3.00m	black	4251364716335
	PI5010-040	4.00m	black	4251364716342
	PI5010-050	5.00m	black	4251364716359

PI5010 DATA SHEET

from 7.50 meters

Features

- ▶ DP version 1.4 – 32.4Gbps for resolutions up to 8K UltraHD-2 60Hz
- ▶ Gold plated precision contacts with locking mechanism
- ▶ DisplayPort male to DisplayPort male
- ▶ High purity copper conductors and triple shielding, AWG28, Ø 7.5 mm
- ▶ 100% tested for professional AV applications

Connections

Connector Material	ABS Plastic
Contact Material	Gold-plated
Connector 1	DisplayPort Male
Dimensions Connector 1	50.6 x 19.9 x 11 mm
Connector 2	DisplayPort Male
Dimensions Connector 2	53.1 x 19.9 x 11 mm

Cable

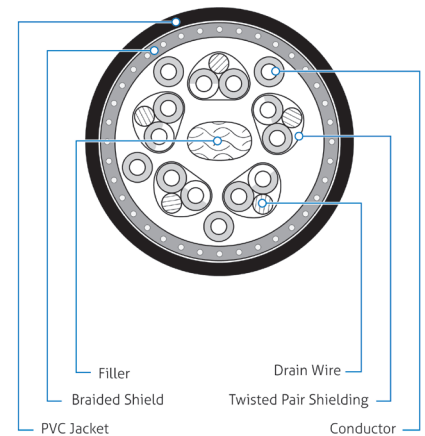
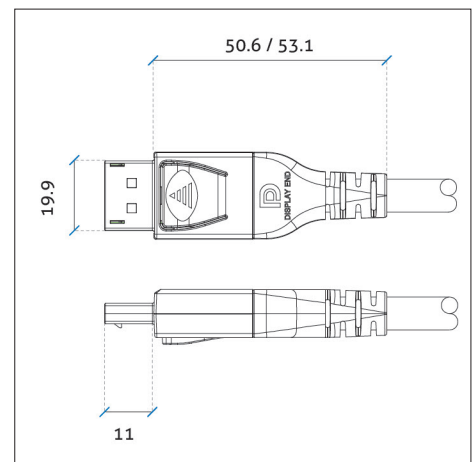
Type	Active Round Cable with Amplifier
Construction	5x Twisted Pairs 28AWG + 4x 28AWG + 1x 24AWG + AB
Jacket Outer Material	PVC
Cable Outer Diameter	7.5mm
Bending Radius	14.0mm
Tensile Strength	ca. 12kg
Sheath Printing	Compliance and Cable Standards, Flamability Rating

Signal Transmission

Standard	DisplayPort 1.4, HBR3
Bandwidth	32.4 Gbps
Max. Resolution	8K UltraHD-2 60Hz / 4K UltraHD 120Hz

General

Transmission Distance	Up to 15m
Operation Temperature	0-80°C
Relative Humidity	0-95%
Power Supply	No external Power Supply required (draws power from source device)
Colour	Black
Packaging	Premium Polybag, PET 01, PE-HD 02, PP 05
Certification	CE, FCC, ROHS, REACH, VW-1
Compliance	VESA



PI5010 Overview

Parent	Art.-No.	Length	Colour	EAN
PI5010	PI5010-075	7.50m	black	4251364722411
	PI5010-100	10.00m	black	4251364722428
	PI5010-125	12.50m	black	4251364722435
	PI5010-150	15.00m	black	4251364722442