

# MSP 221

## EDID Manager



In modern digital video, Extended Display Identification Data (EDID) allows display devices to describe specification information to the video source equipment. Using MSP221 can resolve and prevent a number of EDID related issues, ensuring the expected output from a video source device by broadcasting a consistent EDID, even when display devices are switched, re-plugged or re-powered.

Additionally MSP221 features HDCP tools resolving potential conflict situations when video is output to DVI or VGA equipment.

### Connect

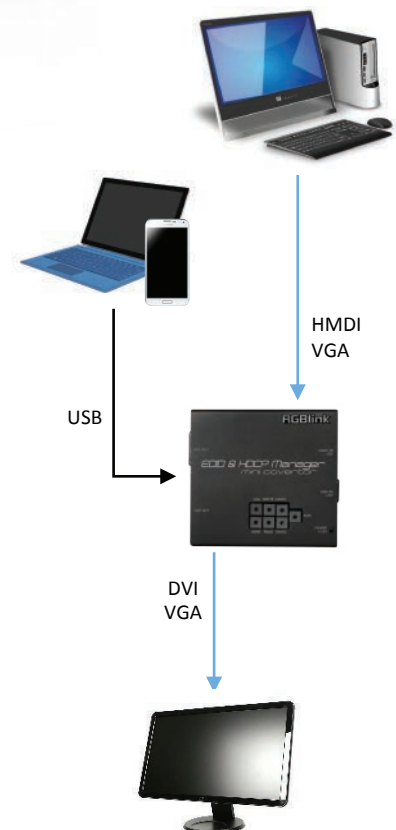
Connect MSP 221 between video source and display device. Input source can be HDMI or VGA (RGBVH). Output to display device is DVI or VGA.

### Set

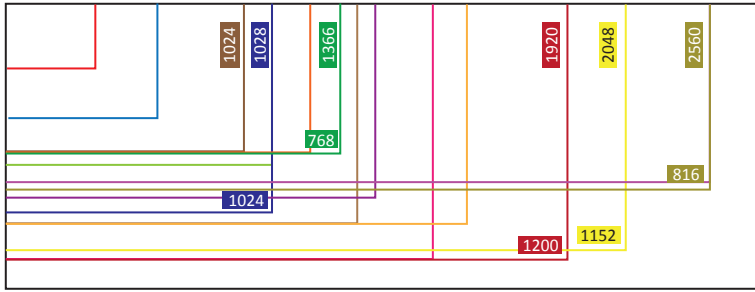
Capture and store EDID information from Display Device for use, or enter and set EDID from the keypad.

### Control

RGBlink uniquely provides an Android app for set EDID. Connect MSP221 to an Android device by USB, and configuration is easy with now familiar touch and graphical controls. Additionally Windows® software is also available for USB connection.

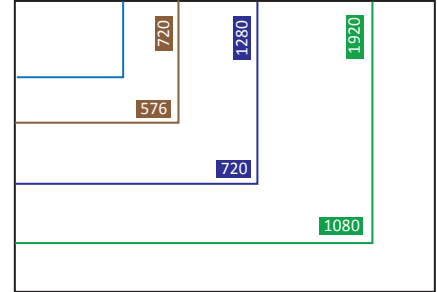


## VESA Resolutions



- 640x480@60/75/85
- 800x600@60/75/85
- 1024x768@60/75/85
- 1028x1024@60/75/85
- 1028x800@60
- 1360x768@60
- 1366x768@60
- 1440x900@60
- 1600x1200@60
- 1680x1050@60
- 1920x1200@60
- 2048x1152@60
- 2560x812@60
- 2560x816@60

## SMPTE Resolutions



- 487i@60
- 483P@60
- 576i@50
- 576P@50
- 720P@23.98/24/25/29.87/30/50/59.94/60
- 1080P@23.98/24/25/29.87/30/50/59.94/60

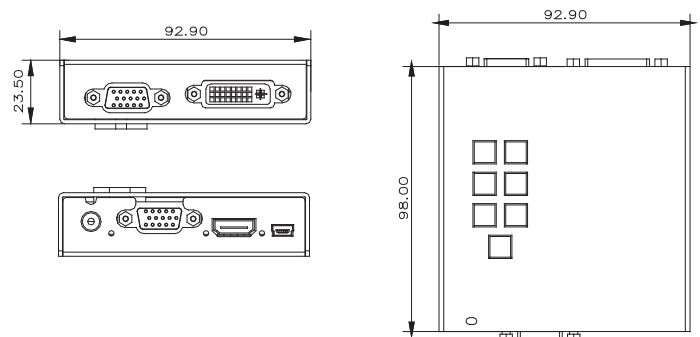
## Specifications

|                    |                     |                                                                                                                                                                                                                                                                                                                                                                                                                                                                       |
|--------------------|---------------------|-----------------------------------------------------------------------------------------------------------------------------------------------------------------------------------------------------------------------------------------------------------------------------------------------------------------------------------------------------------------------------------------------------------------------------------------------------------------------|
| <b>Features</b>    | EDID                | Yes                                                                                                                                                                                                                                                                                                                                                                                                                                                                   |
|                    | HDCP                | Yes                                                                                                                                                                                                                                                                                                                                                                                                                                                                   |
|                    | Remote App          | Android, Windows                                                                                                                                                                                                                                                                                                                                                                                                                                                      |
|                    | Interface           | 7 Buttons with LED lamp                                                                                                                                                                                                                                                                                                                                                                                                                                               |
|                    | Security            | Hole for lock/latch                                                                                                                                                                                                                                                                                                                                                                                                                                                   |
| <b>Performance</b> | Input Resolution    | HDMI: SMPTE: 625@25/50 PAL   525@29.97/59.94 NTSC 720p@50/59.94/60   1080p@50/59.94/60   1080i@50/59.94/60<br>VESA: 800x600@60   1024x768@60   1280x768@60   1280x1024@60   1600x1200@60 1920x1080@60                                                                                                                                                                                                                                                                 |
|                    | Output Resolution   | Select from standard set or select user configurable<br>SMPTE: 625@25/50 PAL   525@29.97/59.94 NTSC 1080p@50/59.94/60   1080@i50/59.94/60   720p@50/59.94/60<br>1280x720@23.98/24/25/29.97/30   1920x1080@23.98/24/25/29.97/30<br>VESA: 800x600@60   1024x768@60/75/85 1280x720@50/60   1280x800@60   1280x1024@60 1360x768@60  <br>1366x768@60   1400x1050@60 1440x900@60   1600x1200@60   1680x1050@60, 1920x1080@60  <br>1920x1200@60   2048x1152@60   2560x816@60 |
|                    | Refresh Rates       | 23.98   29.87   30   59.97   60   75                                                                                                                                                                                                                                                                                                                                                                                                                                  |
|                    | Standards Supported | VGA: VGA-UXGA<br>HDMI: 1.4                                                                                                                                                                                                                                                                                                                                                                                                                                            |
| <b>Connectors</b>  | Video Input         | 1 x HDMI<br>1 x DB-15 (VGA)                                                                                                                                                                                                                                                                                                                                                                                                                                           |
|                    | Output              | 1 x DVI<br>1 x DB-15 (VGA)                                                                                                                                                                                                                                                                                                                                                                                                                                            |
|                    | Remote Control      | USB mini-B                                                                                                                                                                                                                                                                                                                                                                                                                                                            |
|                    | Power               | 5.4mm DC Socket                                                                                                                                                                                                                                                                                                                                                                                                                                                       |
| <b>Power</b>       | Input Voltage       | 12V DC (via universal Plug Pack)                                                                                                                                                                                                                                                                                                                                                                                                                                      |
|                    | Max Power           | 0.5A                                                                                                                                                                                                                                                                                                                                                                                                                                                                  |
| <b>Operation</b>   | Temperature         | 0-45°C                                                                                                                                                                                                                                                                                                                                                                                                                                                                |
|                    | Humidity            | 10-85% RH                                                                                                                                                                                                                                                                                                                                                                                                                                                             |
| <b>Physical</b>    | Weight              | 0.18kg (nett)<br>1.6kg (packaged)                                                                                                                                                                                                                                                                                                                                                                                                                                     |
|                    | Dimensions          | 98 x 92.9 x 23.5mm (device)<br>140 x 140 x 70mm (packaged)                                                                                                                                                                                                                                                                                                                                                                                                            |

## Order Codes

| Product Code  | Item                 |
|---------------|----------------------|
| 650-0221-01-0 | MSP 221 EDID Manager |

## Dimensions



**HDMI™ HDCP™**

WEB: [www.rgblink.com](http://www.rgblink.com) EMAIL: [sales@rgblink.com](mailto:sales@rgblink.com) PHONE: +86 592 5771197  
Proudly designed and manufactured in **Xiamen Hi Technology Zone, China**

**RGBlink™**