

MSA01

CEILING MOUNT WITH ADJUSTABLE SWING ARM FOR 10"-29" SCREENS

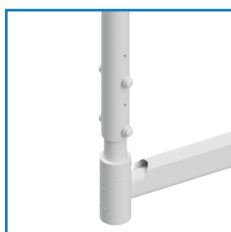
MSA01 is a high quality ceiling mount with a spring. The bracket is equipped with mounting holes in VESA standard (75 x 75, 100 x 100 mm). Its solid construction allows safe mounting of screens weighing up to 10 kg. A great advantage of the MSA01 mount is the possibility of adjusting the mounted monitor to the direction and height of the user's eye. Easy adjustment of the screen to the user's requirements is ensured by the rotation adjustment (360°), tilt (22.5°/-22.5°) and the distance of the monitor from the wall and ceiling. Cable management is yet another advantage.

FEATURES

- Works with TVs with a screen diagonal of 10" - 29"
- Full adjustment
- Maximum VESA spacing - 100 x 100 mm
- Load capacity up to 10 kg

PRODUCT SPECIFICATIONS

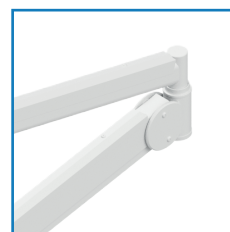
Short index	MSA01
Product group	Display Mounts
Category	Swing Arms Wall Mounts
Colour	White
Warranty	Limited 5-years
Number of screens	1
Minimum screen size	10"
Maximum screen size	29"
Maximum load	10 kg
Forward tilting	22,5°/-22,5
Arm rotation	90°
Left-right rotation	360°
VESA Mounting Compatibility	75x75 up to 100x100



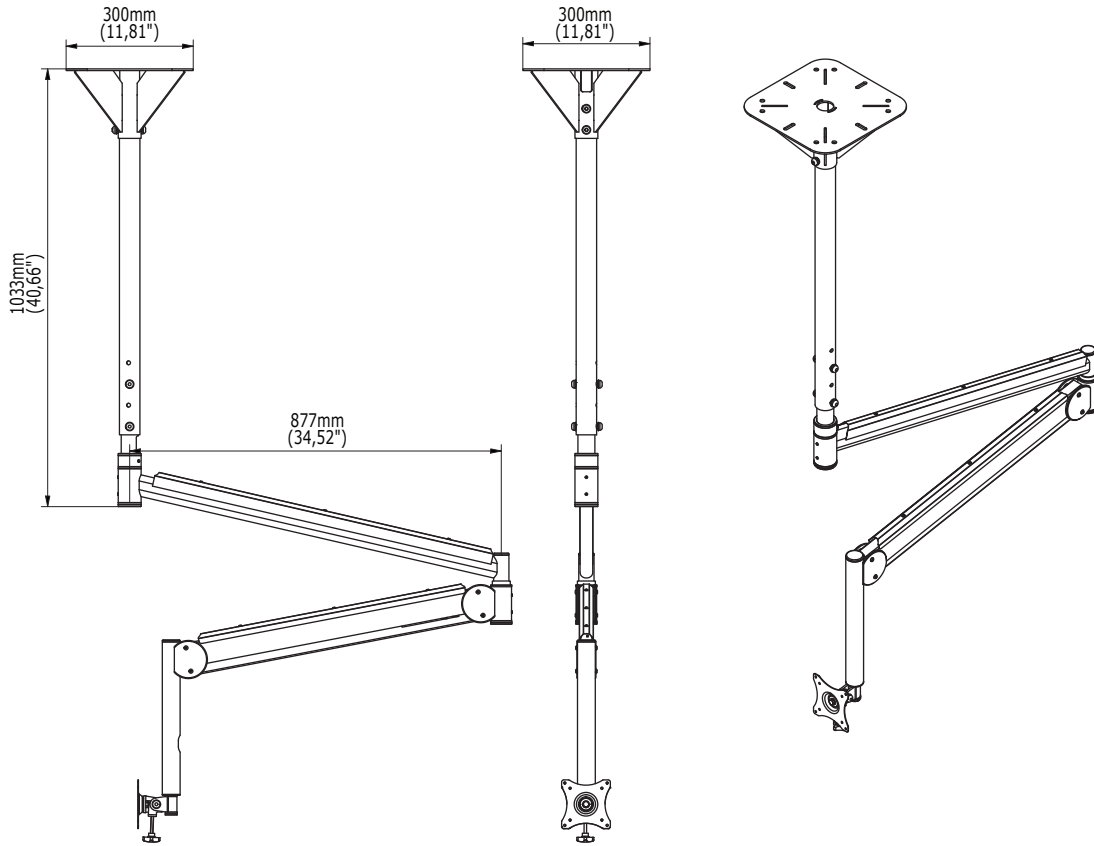
Adjustable distance from the ceiling



Cable routed inside the arm



Adjustable position of arm


TECHNICAL SPECIFICATIONS

Product dimensions	W: 1744 mm D: 300 mm H: 1820 mm (W:68,66" D:11,81" H:71,65")
Product weight	18 kg (39,68 lb)
Max. distance from mounting surface	2545 mm(100,19")
Min. distance from mounting surface	1593 mm(62,71")
Max. mounting pattern	100 mm x 100 mm(3,93 x 3,93")
Min. mounting pattern	75 mm x 75 mm(2,95 x 2,95")

LOGISTICS DATA

SAP INDEX	EAN CODE	COLOUR	PACKAGE DIMENSIONS	PACKAGE WEIGHT
WUSU-MSA01	5908252962341	WHITE	1050 x 650 x 220 mm 41,33 x 25,59 x 8,66"	23 kg 50,70 lb

HS Code (Harmonized System): 732690, HTS Code (Harmonized Tariff Schedule): 7326909890, Country of Origin: Poland

ACCESSORIES AND RELATED PRODUCTS


MSA01