

Features

- ▶ USB 3.2 (Gen 1) - 5Gbps data transmission
- ▶ Gold plated precision contacts
- ▶ USB-C male to USB-A male
- ▶ High purity copper conductors and triple shielding, AWG30 / Ø 4.5mm
- ▶ Power transmission with max. power output 3A / 5V / 15W

Connections

Connector Material	PVC, Nickel-plated Housing
Contact Material	Gold-plated
Connector 1	USB-C Male
Dimensions Connector 1	33.9 x 12.4 x 6.3 mm
Connector 2	USB-A Male
Dimensions Connector 2	38.4 x 15.5 x 8.15 mm

Cable

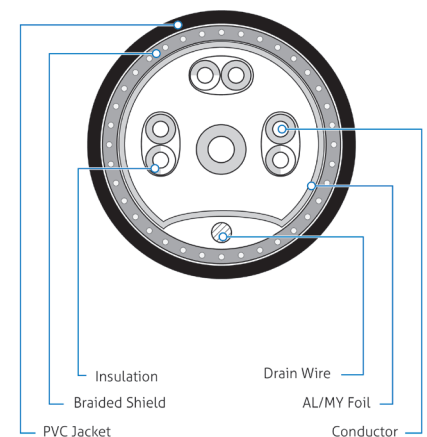
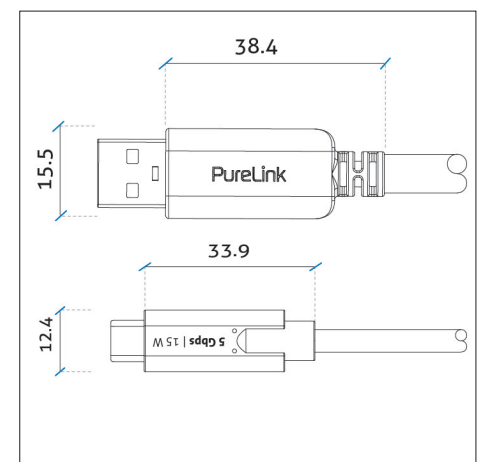
Type	Round Cable
Construction	2x Data Pairs 30AWG, 1x Pair 30AWG, 1x 24/22AWG
Jacket Outer Material	PVC
Cable Outer Diameter	4.5mm
Minimum Bend Radius	31.5mm
Tensile Strength	1.05 kgf / mm ²

Signal Transmission

Standard	USB 3.2 Gen1 (USB 3.1 / 3.0), SuperSpeed USB 5Gbps
Bandwidth	5 Gbps
Transmitted Signals	Data, Power
Output Power	5V / 3A / 15W
E-Marker	N/A
Backwards Compatibility	USB 2.0 / 1.1

General

Transmission Distance	Up to 2.00m
Operation Temperature	Up to 80°C
Relative Humidity	0-95%
Colour	White / Black
Packaging	Paper Giftbox, PE-LD 04
Certification	CE, FCC, ROHS, REACH



IS2600 / IS2601 Overview

Parent	Art.-No.	Length	Colour	EAN
IS2600	IS2600-005	0.50m	white	4251364721872
	IS2600-010	1.00m	white	4251364721889
	IS2600-015	1.50m	white	4251364721896
	IS2600-020	2.00m	white	4251364721902
IS2601	IS2601-005	0.50m	black	4251364721919
	IS2601-010	1.00m	black	4251364721926
	IS2601-015	1.50m	black	4251364721933
	IS2601-020	2.00m	black	4251364721940