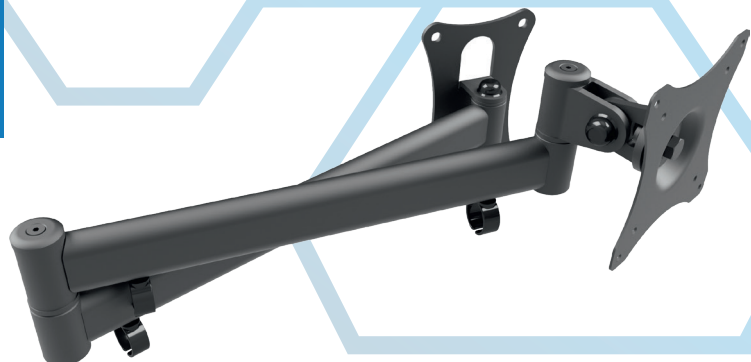


GD18

SWING ARM WALL MOUNT

FOR 10"-29" SCREENS

LANDSCAPE
OR PORTRAIT
ORIENTATION
OF SCREEN



Universal GD18 swing arm wall mount wall mount dedicated to small screens ranging from 10" to 29". It's simple design makes it quick and easy to install on walls of various structures. GD18 occupies a small area and has the option of positioning the screen vertically or horizontally (360° head rotation). The mount has a long outreach and the possibility of tilting the screen by +50°, which allows any adjustment of screen position and increases the comfort of use.

FEATURES

- Robust design
- 3 axes of rotation allow proper adjustment of a viewing angle
- 360° vertical-horizontal screen rotation
- 130°/130° right-left screen rotation
- +50° tilt
- Cable management

PRODUCT SPECIFICATIONS

| | |
|-----------------------------|------------------------|
| Short index | GD18 |
| Category | Swing Arms Wall Mounts |
| Product group | Display Mounts |
| Colour | Black |
| Warranty | Limited 5-years |
| Number of screens | 1 |
| Minimum screen size | 10" |
| Maximum screen size | 29" |
| Maximum load | 10 kg |
| Forward tilting | +50° |
| VESA Mounting Compatibility | 75x75 up to 100x100 |



10"-29"



75x75
100x100



0-50°



10 kg



Orientation adjustment: 3 axes of rotation

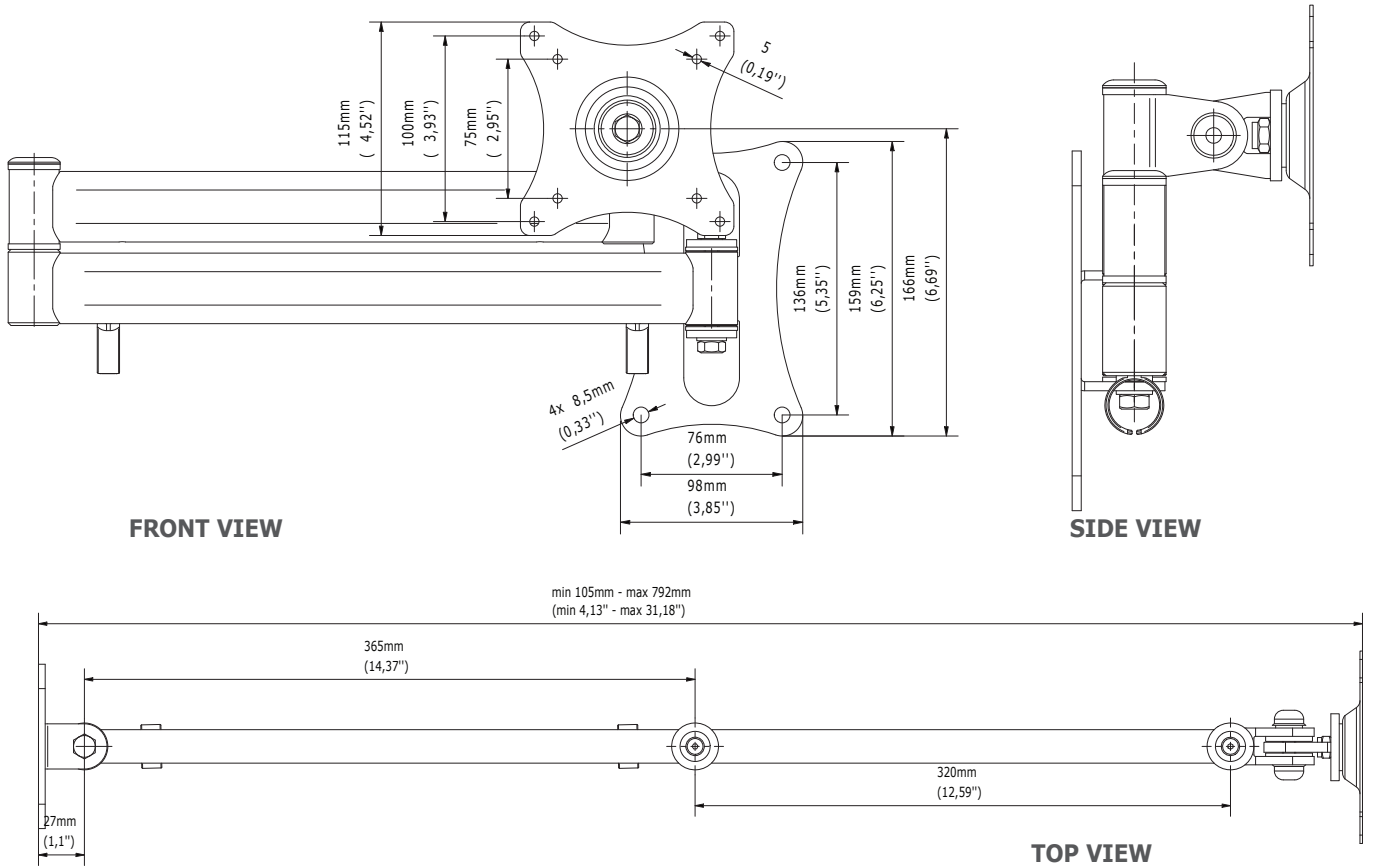


+50° tilt



Cable management

TECHNICAL DRAWINGS



TECHNICAL SPECIFICATIONS

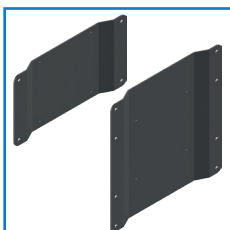
| | |
|-------------------------------------|--|
| Product dimensions | W: 115 mm D: 792 mm H: 228 mm (W:4,53" D:31,18" H:8,98") |
| Product weight | 2 kg (4 lb) |
| Max. distance from mounting surface | 792 mm (31,18") |
| Min. distance from mounting surface | 105 mm (4,25") |
| Max. mounting pattern | 100 mm x 100 mm |
| Min. mounting pattern | 75 mm x 75 mm |

LOGISTICS DATA

| SAP INDEX | EAN CODE | COLOUR | PACKAGE DIMENSIONS | PACKAGE WEIGHT |
|-----------|---------------|--------|--|-----------------|
| | 5902841103504 | BLACK | 425 x 250 x 100 mm 16,73 x 9,84 x 3,94" | 2,50 kg 6 lb |

HS Code (Harmonized System): 732690, HTS Code (Harmonized Tariff Schedule): 7326909890, Country of Origin: Poland

ACCESSORIES AND RELATED PRODUCTS



VESA adapters: GDA1/GDA2



GD04



GDV101



GDV121