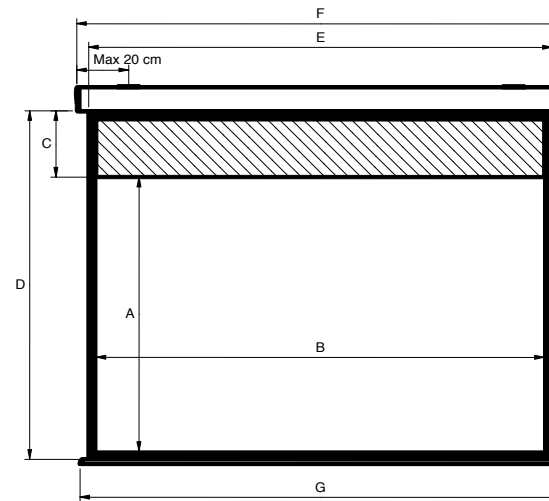


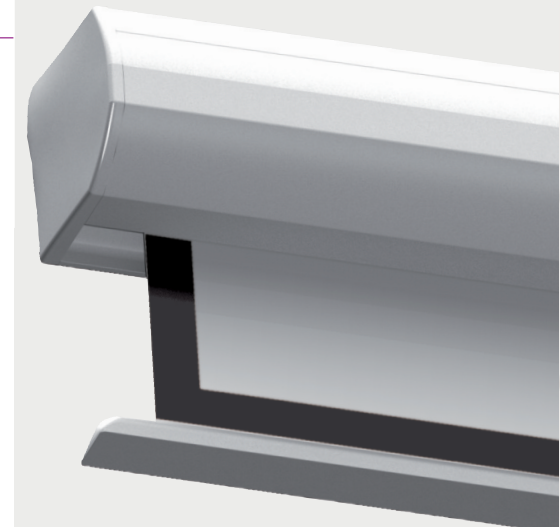
Front view



- A Image height
- B Image base
- C Extradrop
- D Fabric total height
- E Fabric total base
- F Casing length
- G Weighing bar length

Technical data

Reference		A cm	B cm	C cm	D cm	E cm	F cm	G cm	Wattage w	Net weight kg
4:3 format	Black borders									
OR2B5129172	Small casing	129	172	4	137	180	196	192	100	16
OR2B5144192	Small casing	144	192	4	152	200	216	212	100	18
OR2B5174232	Small casing	174	232	4	182	240	256	252	100	21
OR2B5196262	Small casing	197	262	4	205	270	286	282	100	26
OR2B5219292	Large casing	219	292	4	227	300	316	312	100	30
OR2B5294392	Large casing	294	392	4	302	400	417	412	120	51
OR2B5369492	Large casing	369	492	4	377	500	517	512	140	67
16:9 format	Black borders + 30 cm extra drop									
OR2B5108192	Small casing	108	192	30	142	200	216	212	100	16
OR2B5130232	Small casing	131	232	30	165	240	256	252	100	17
OR2B5147262	Small casing	147	262	30	181	270	286	282	100	20
OR2B5164292	Large casing	164	292	30	198	300	316	312	100	26
OR2B5220392	Large casing	221	392	30	255	400	417	412	120	50
OR2B5277492	Large casing	277	492	30	311	500	517	512	140	62
16:10 format	Black borders + 20 cm extra drop									
OR2B5120192	Small casing	120	192	20	144	200	216	212	100	18
OR2B5145232	Small casing	145	232	20	169	240	256	252	100	21
OR2B5164262	Small casing	164	262	20	188	270	286	282	100	26
OR2B5182292	Large casing	182	292	20	206	300	316	312	100	30
OR2B5245392	Large casing	245	392	20	269	400	417	412	120	51
OR2B5307492	Large casing	307	492	20	331	500	517	512	140	67



High standard electric screen ensuring its users reliability, aesthetics and recessing features to achieve the desired look without compromise. This product has also been designed to be installed easily, no matter the constraints: speed solo system.

- Fully protected, it does not let appear any screw, including the screen fixing elements.
- Wall or ceiling mounting.
- Black borders.
- Aluminum weighing bar closing the whole case in stand-up position.
- Aluminum casing with white epoxy finish. Other colors on demand.
- Remote control in option.
- Wired switch included.
- Motor on the right.

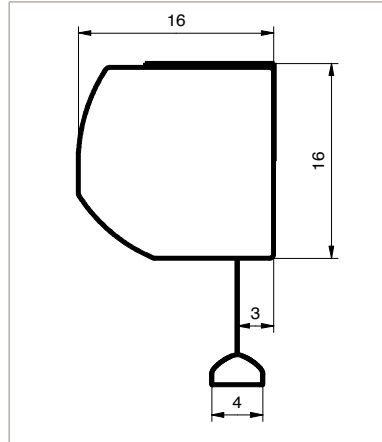


Chemin de Beaurepaire - CS 42005
91410 DOURDAN - FRANCE
Tel +33 1 64 59 94 54

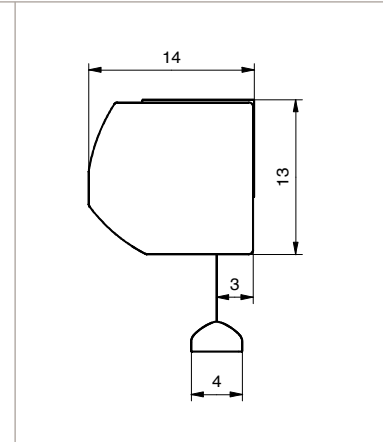


Side views

Large casing

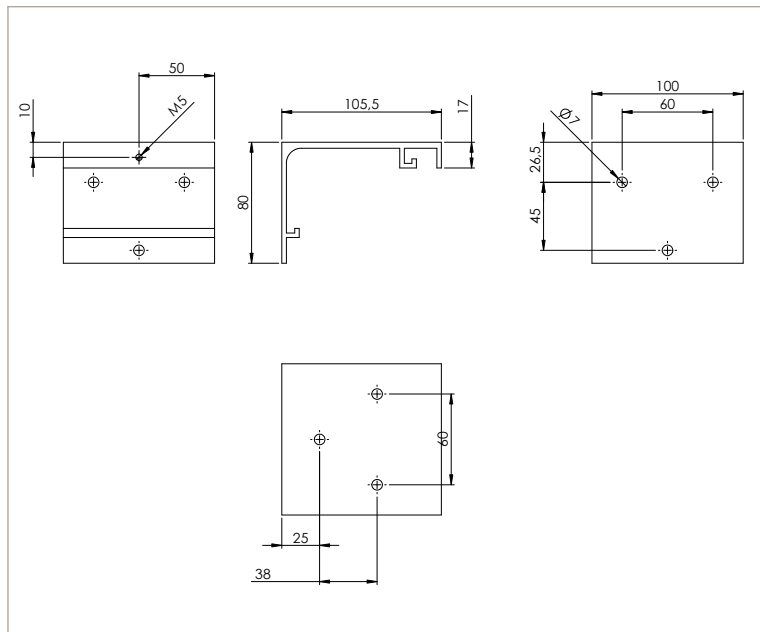


Small casing

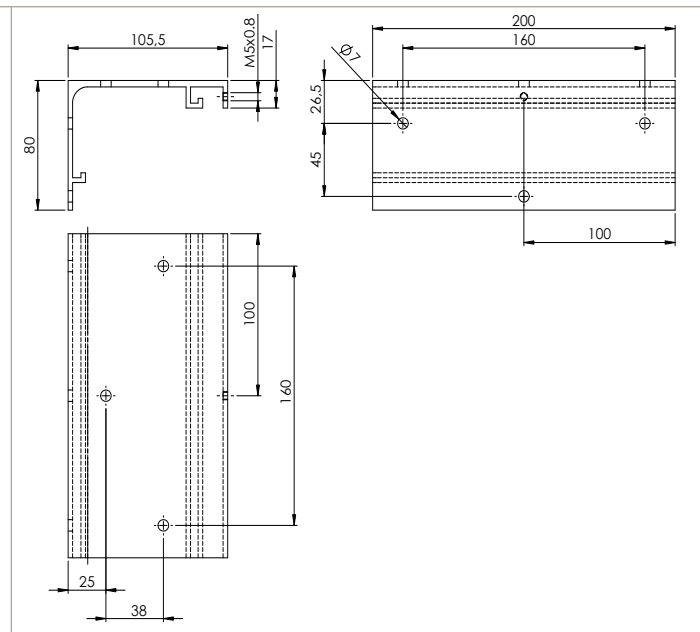


Installation brackets

Installation brackets **A** for screen < 5m base



Installation bracket **B** for screen of 5m base



MOUNTING

INSTALLATION BRACKETS

Base < 3m	2 brackets "A"
3 ≤ Base < 5m	3 brackets "A"
base = 5m	3 brackets "B"



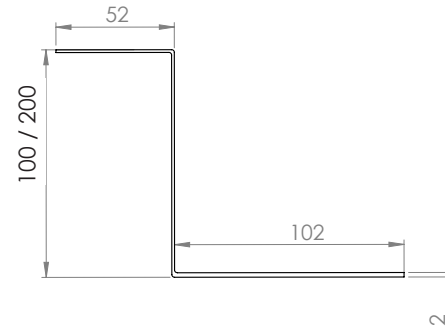
Chemin de Beaupaire - CS 42005
91410 DOURDAN - FRANCE
Tel +33 1 64 59 94 54



Extending brackets

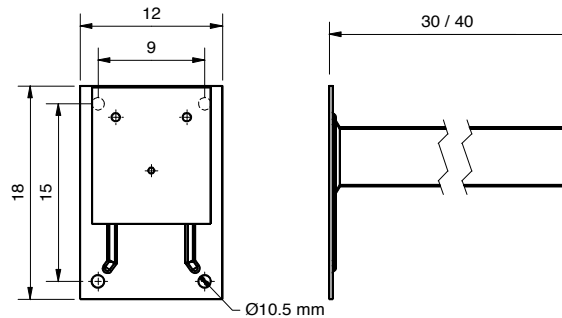
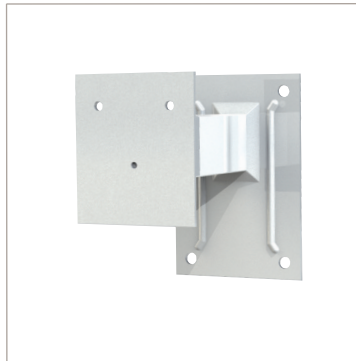
Extending brackets (base < 5m)

10 or 20 cm



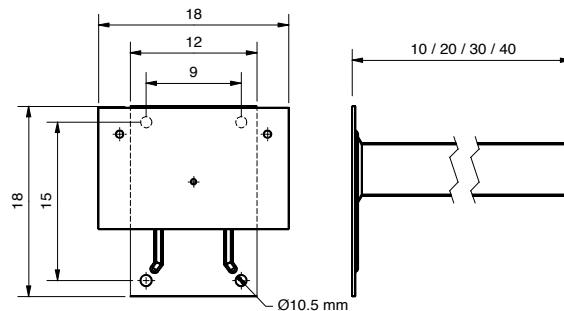
Extending brackets (base < 5m)

30 or 40 cm



Extending brackets (base = 5m)

from 10 to 40 cm



EXTENDING BRACKETS

Base < 5m The pair

Référence	Dimension
OPTECAR10GOR2	10 cm
OPTECAR20GOR2	20 cm
OPTECAR30GOR2	30 cm
OPTECAR40GOR2	40 cm

3m ≤ base < 5m The trio

Référence	Dimension
OPTECAR10GOR3	10 cm
OPTECAR20GOR3	20 cm
OPTECAR30GOR3	30 cm
OPTECAR40GOR3	40 cm

Base = 5m The trio

Référence	Dimension
OPTECAR10GOR5	10 cm
OPTECAR20GOR5	20 cm
OPTECAR30GOR5	30 cm
OPTECAR40GOR5	40 cm

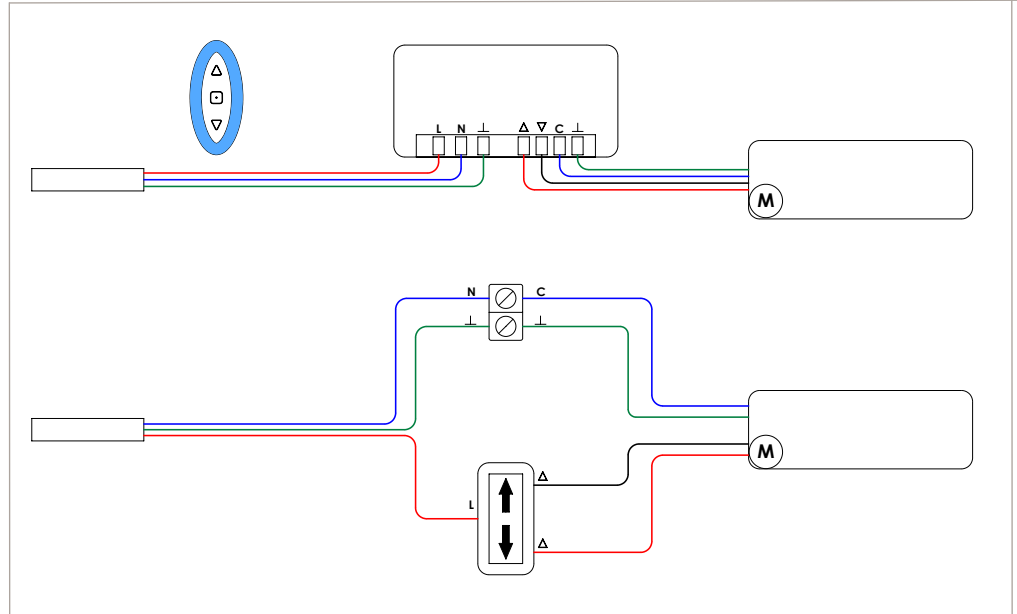


Chemin de Beaurepaire - CS 42005
91410 DOURDAN - FRANCE
Tel +33 1 64 59 94 54



Wiring

Wiring diagrams for remote control receiver and wired switch



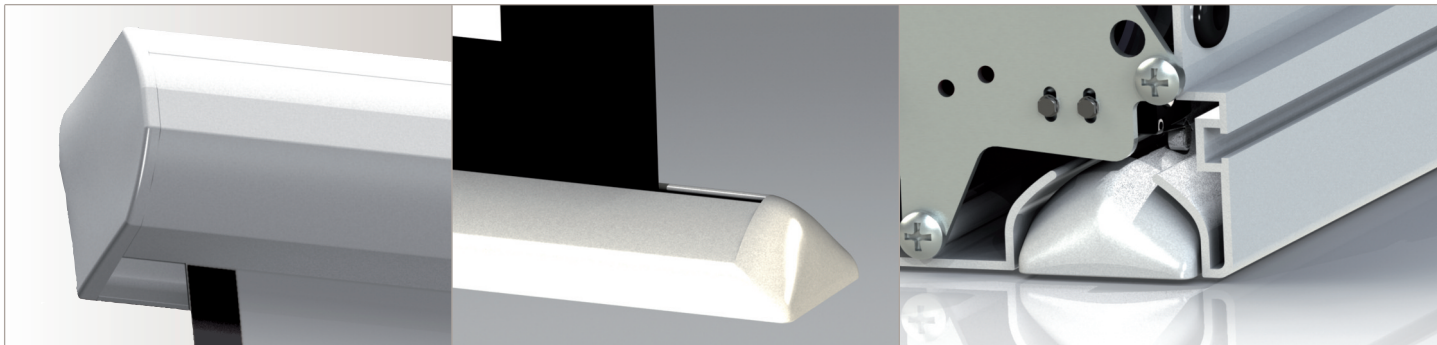
In case of automation control, the power must be cut off between rolling up and unrolling order.

- L Live
- N Neutral
- C Common
- ↑ Up
- ↓ Down
- ⊥ Ground

Casing without visible screw

Weighing bar

Motor cut-off security device when closing



Chemin de Beaupaire - CS 42005
91410 DOURDAN - FRANCE
Tel +33 1 64 59 94 54

