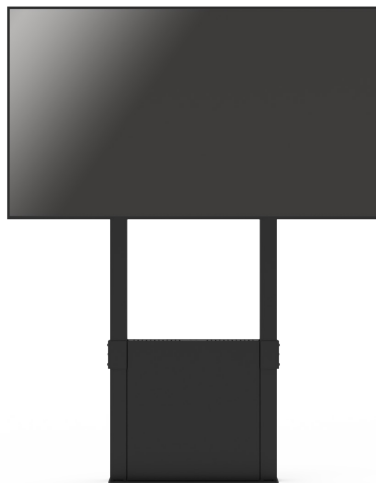


FUNC WALL/FLOOR



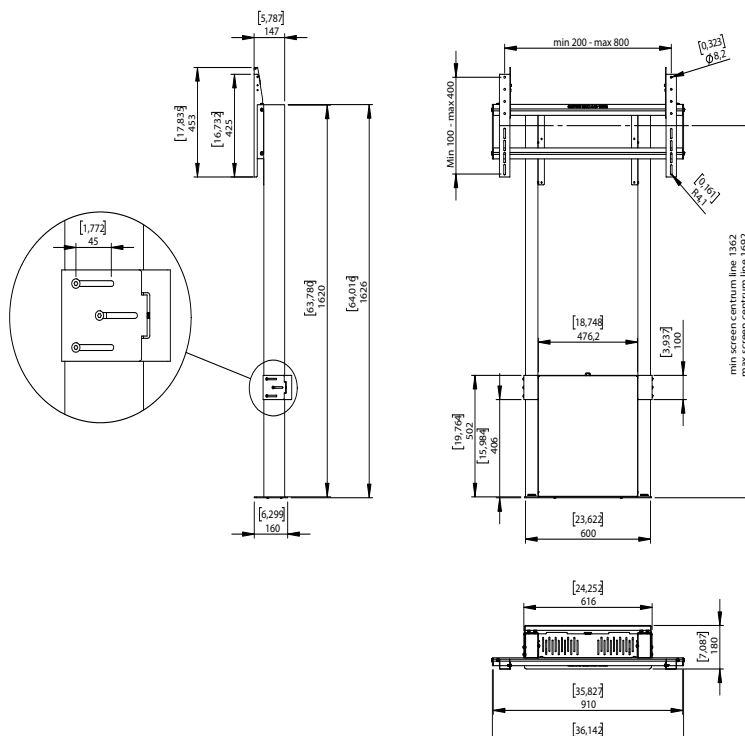
Simplicity and stability.

Func Wall/Floor has a very stable design, perfect for large, heavy displays and touch displays. The smart design shifts the weight to the floor, which means you can mount a heavy display also on thin walls, e.g. at events.

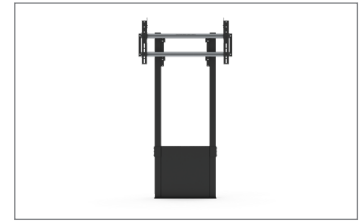
Func Wall/Floor is perfect for small spaces where a large base plate would be in the way. The bracket is fixed to a certain height (optional at installation). A smart storage box is included, e.g. for mini-PC or codec. It is easy to reach the storage box from the front. The box can be locked with a padlock (not supplied).

▲ TECHNICAL DRAWING (INCH/MM)

FMN091001, FMN091002 / FUNC WALL/FLOOR



▲ ABOUT THE PRODUCT



▲ GENERAL INFO

FINISH: Black or White

MAXIMUM LOAD: 120 kg

MINIMUM VESA: 200 x 100

MAXIMUM VESA: 800 x 400

SAFETY: The display can be secured with a screw to increase personal safety.

STORAGE BOX DIMENSIONS [MM]:
496x472x96

WARRANTY: 5 years.

▲ ARTICLE NUMBERS

FMN091001 Func Wall/Floor Black

FMN091002 Func Wall/Floor White