



4K HDR Monitor

RMS UHD Series-RMS 2380U/RMS 2700U/RMS 3200U

12G-SDI Professional Film and Television Production Monitor.

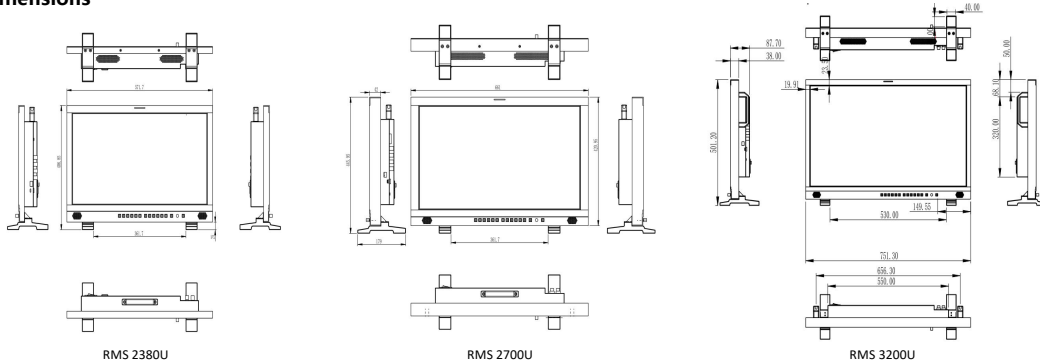
This series is broadcast-grade 4K HDR monitor, equipped with UHD (3840×2160) screen, supports quad link 12G SDI signal up to 8K input backward compatible with 4K@60Hz, supports high-precision 3D LUT with tetrahedral interpolation algorithm, supports HDR formats such as SMPTE ST2084(PQ), hybrid log-gamma HLG, various Gamma curves, camera Log and other professional functions which are widely used in film, television and advertisement industry.

Key Features

- 12G-SDI 8K/ HDMI 4K signal
- 4K IPS LCD panel
- Wide color gamut
- Professional on set monitoring tools
- Accurate 3D LUT color calibration
- Multiple screen modes
- SDR and HDR image comparison function

- 12G-SFP fiber port
- USB-C (Thunderbolt) input port
- Aluminum alloy frame
- Payload ID automatically read
- 3D LUT, recreate film looks
- Three color Tally lights
- VESA mounting points

Dimensions



Specification

RMS UHD Series 4K HDR Monitor

Model	RMS 2380U		RMS 2700U		RMS 3200U		
Physical	Net Weight	8.6kg	11.4kg		15.3kg		
	Packaged Weight	12kg	15.3kg		20.6kg		
	Net Dimension	571.7mm × 160mm × 414.85mm	661mm × 420mm × 179mm		751mm × 502mm × 179mm		
	Packaged Dimension	800mm × 250mm × 555mm	890mm × 270mm × 595mm		980mm × 270mm × 675mm		
Connectors	Input	12G-SDI	4xBNC				
		HDMI 2.0	2xHDMI-A				
		SFP	12G Fiber				
Output	Type-C/Thunderbolt3	1xUSB-C					
	12G-SDI	4xBNC					
Performance	Panel	Model	RMS 2380U	RMS 2700U	RMS 3200U		
		Size	23.8 inch	27 inch	32 inch		
		Brightness	540 cd/m2	800 cd/m2	700 cd/m2		
		Type	LCD IPS Panel				
		Resolution	3840 × 2160				
		Pixel Pitch	0.1369 (H) × 0.1369 (V) mm				
		Aspect Ratio	16:9				
		Backlight	LED				
		Contrast Ratio	1200:1				
		Color Depth	10bits(1.07B)				
Image Processing	12bits						
Response	9ms						
Viewing Angle	178°/178°						
Video Signal Format	SDI Signal Format	SMPTE-425M-A/B:1080p@50/59.94/60; SMPTE-274M:1080p@23.98/24/25/29.97/30; SMPTE-296M:720p@50/59.94/60; SMPTE ST 2036-1:2009:3840×2160p@23.98/24/25/29.97/30/50/59.94/60; SMPTE ST 2048-2:2011:2048×1080@23.98/24/25/29.97/30p/psf, 47.95/48/50/59.94/60p; SMPTE ST 2081:3840×2160p@24/25/30; SMPTE ST 2082:3840×2160p@24/25/30/50/60;					
		HDMI Signal Format	720p@50/59.94/60;1080i@50/59.94/60; 1080p@23.98/24/25/29.97/30/50/59.94/60; 3840×2160p@23.98/24/25/29.97/30/50/59.94/60; 4096×2160p@23.98/24/25/29.97/30/50/59.94/60;				
Audio	Audio de-embedding	Support					
Audio Meter	16 channels (Up to 8 channels can be displayed simultaneously.)						
Built-in speaker	1×8 ohm/0.5W						
Headphone	Stereo mini jack×1						
General	Control/Update	1×RJ45					
	GPI	GPI1-S, 1×RJ-45					
	Serial port	RS-422, 2×RJ-45 (1 in 1 out)					
Power	Input Voltage	AC100~240V 50/60Hz					
	Power Consumption (Max)	RMS 2380U 90W	RMS 2700U 98W	RMS 3200U 132W			
Environment	Operating Temperature	-10°C ~ 55°C (14°F to 155°F)					
	Operating Humidity	30% ~ 85%, RH					
	Storage Humidity	-20-60°C					

Order Codes

Product Code	Item
400-2380-02-0	RMS 2380U 23.8" 4K HDR Monitor
400-2700-02-0	RMS 2700U 27" 4K HDR Monitor
400-3200-02-0	RMS 3200U 32" 4K HDR Monitor

Contact us

Tel: +86-592-5771197

Fax: +86-592-5788216

E-mail: sales@rgblink.com

Headquarter: Room 601A, No. 37-3 Banshang community, Building 3, Xinke Plaza,
Torch Hi-Tech Industrial Development Zone, Xiamen, China

RGBlink
www.rgblink.com

